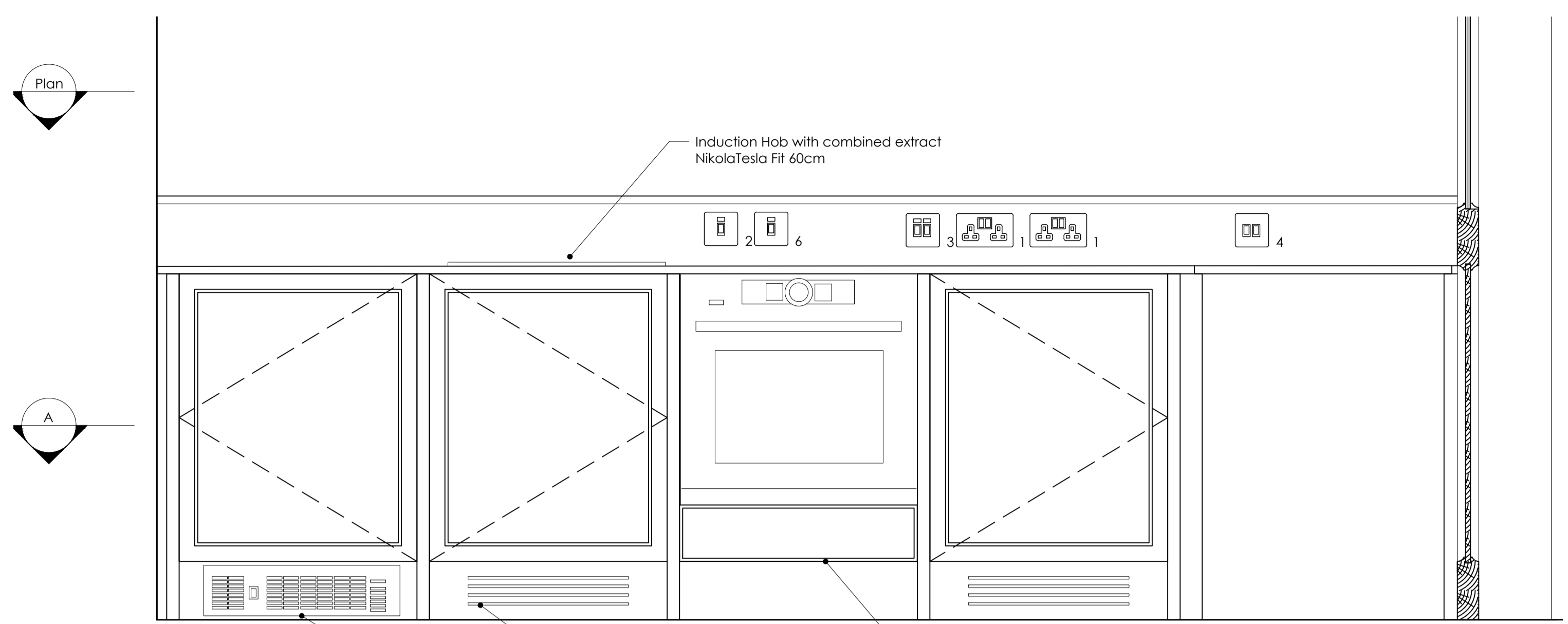
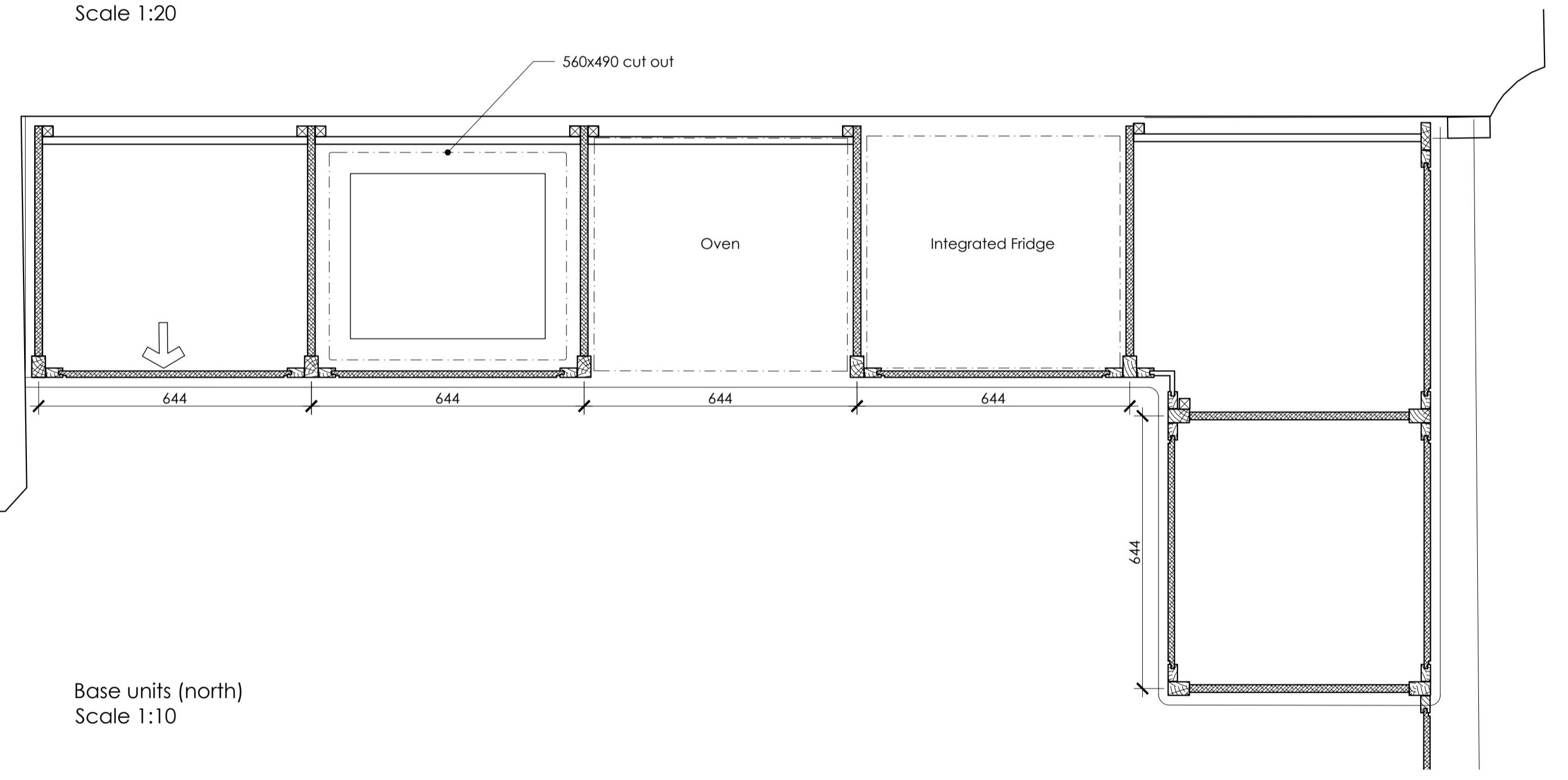


Servery Plan
Scale 1:20

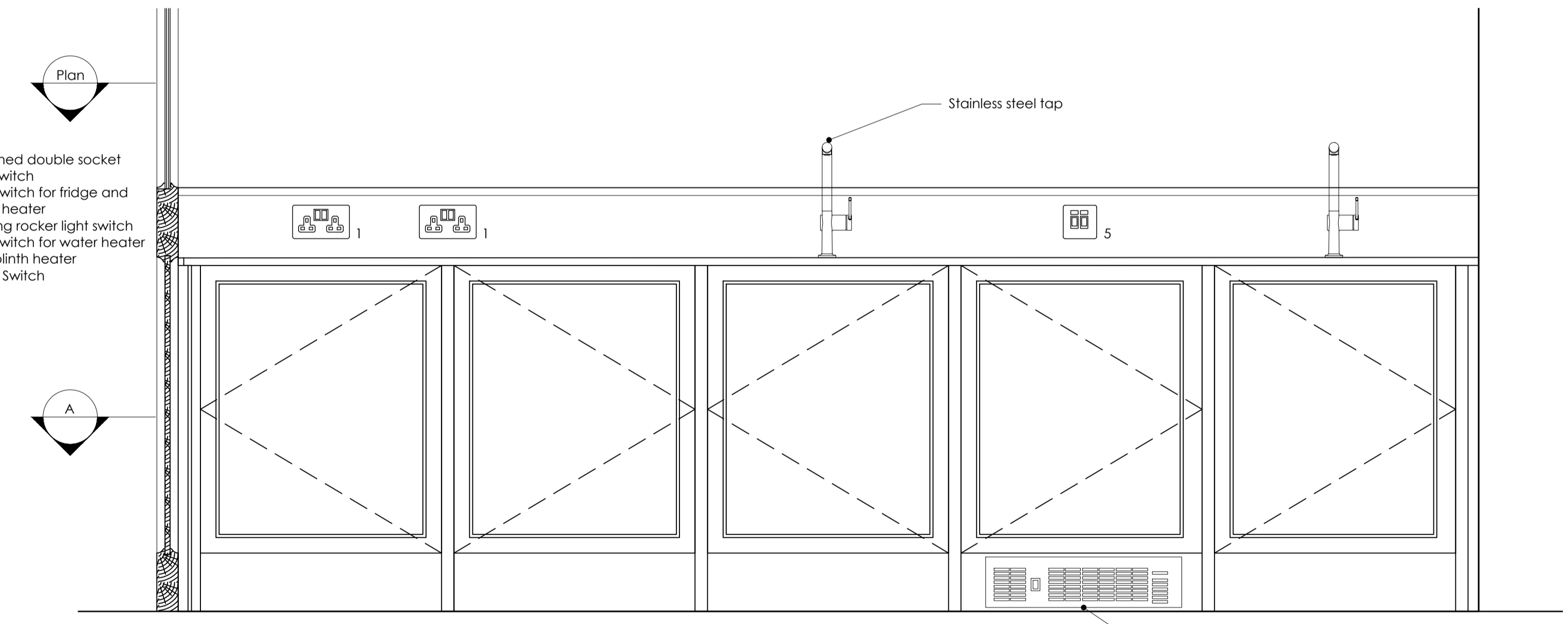


Base units (north)
Scale 1:10

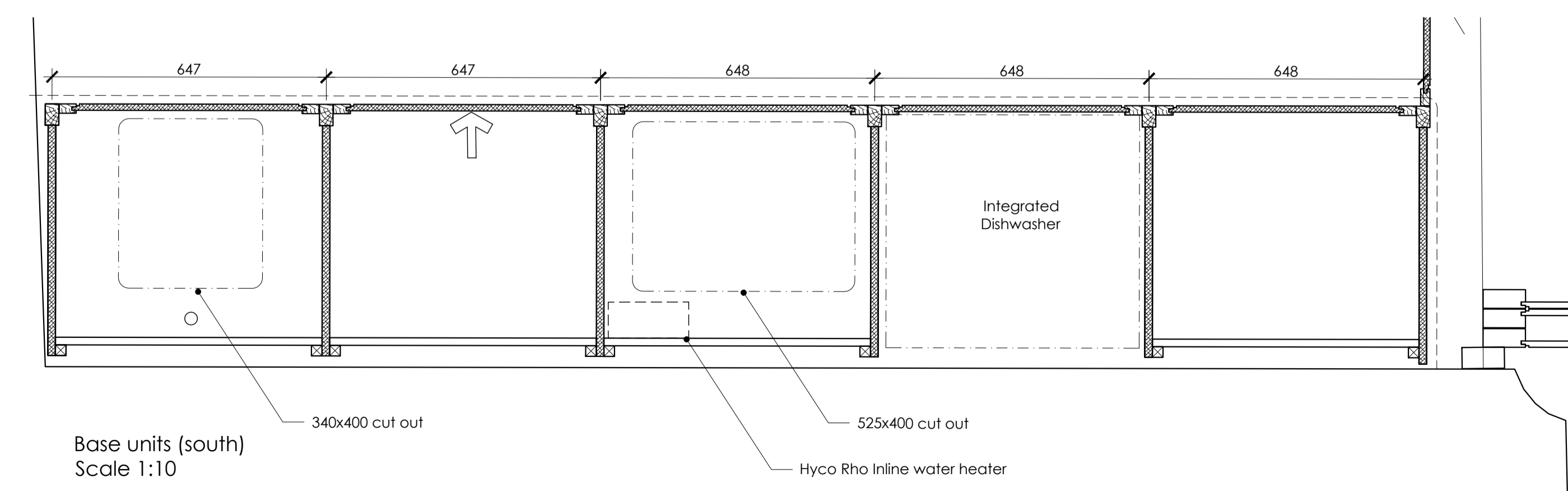


Base units (north)
Scale 1:10

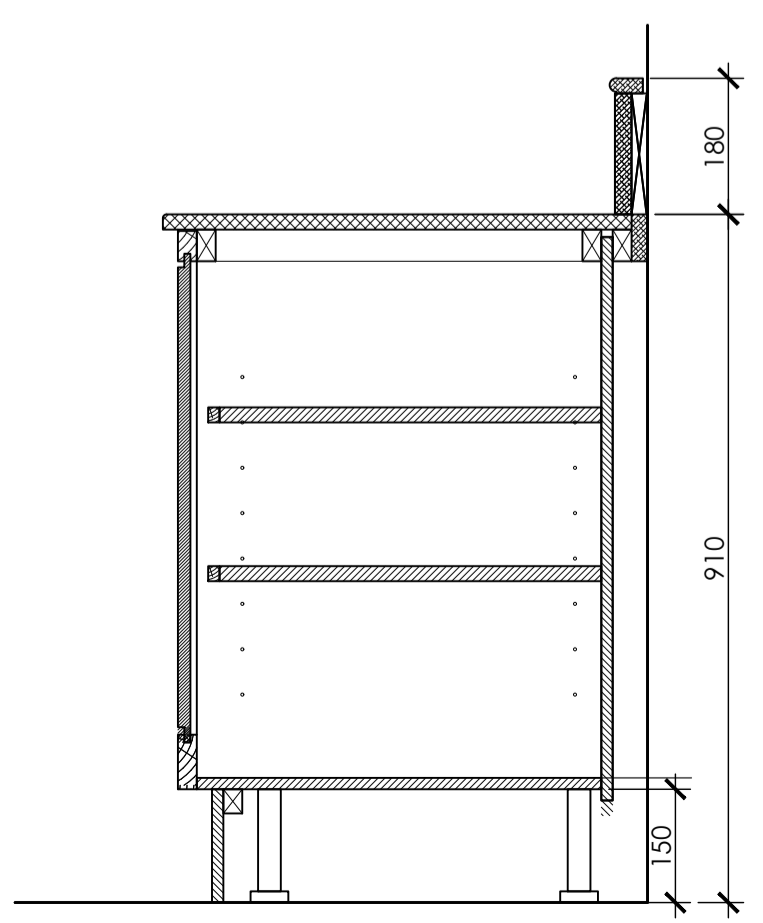
1. Switched double socket
2. Hob switch
3. Grid switch for fridge and plinth heater
4. 2 Gang rocker light switch
5. Grid switch for water heater and plinth heater
6. Oven Switch



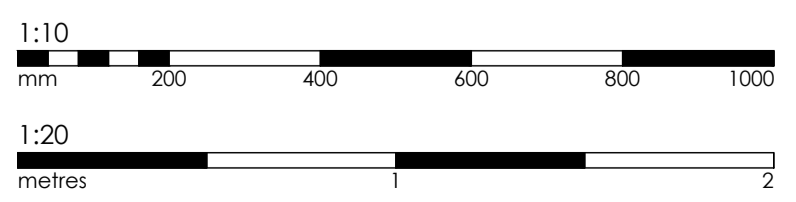
Base units (south)
Scale 1:10



Base units (south)
Scale 1:10



Construction Notes:
 Finish - Painted SW Timber
 Worktops Silestone finish TBA
 Frame - SW Timber framing
 Facade: 25mm oak door frame.
 Door panel 15mm oak faced plywood
 Cabinet Partitions and rear panel - 15mm Melamine faced class 3 plywood
 Shelves - Melamine faced class 3 plywood with oak lipping to front edge
 Ironmongery - 34mmx64mm Brass Butt Hinges, Brass Magnetic Catch & Brass Furniture Knobs to be specified.
 Upstand - 15mm Oak faced plywood
 Kickplate - 15mm Oak faced plywood
 NB Adjustable shelves using timber dowels



Revision	Date	Initials	Notes
C	30.08.2022	MM	General revisions for issue to Faculty
B	11.08.2022	MM	Oven added
A	04.08.2022	MM	Servery updated

LYDIARD MILLCENT
All Saints

Joinery Details
Servery Cabinets

benjamin + beauchamp
architecture design conservation
the borough studios, the borough,
wedmore, somerset BS28 4EB
T 01934 713313 F 01934 713314

Drawn by: MM Date: 30/08/22 Scale: Varies at A1
 Drawing No: 0771.WD.001 rev C