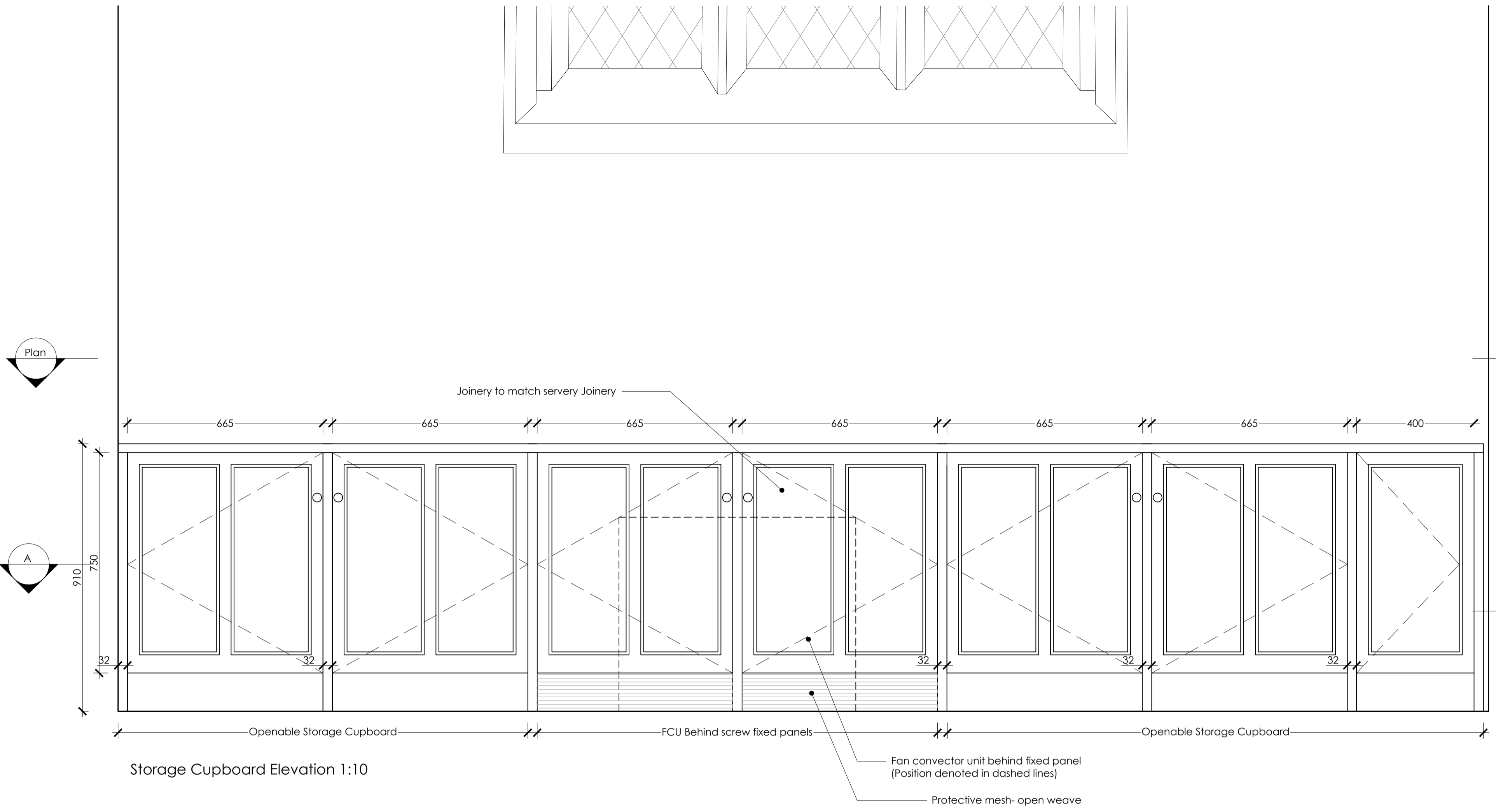
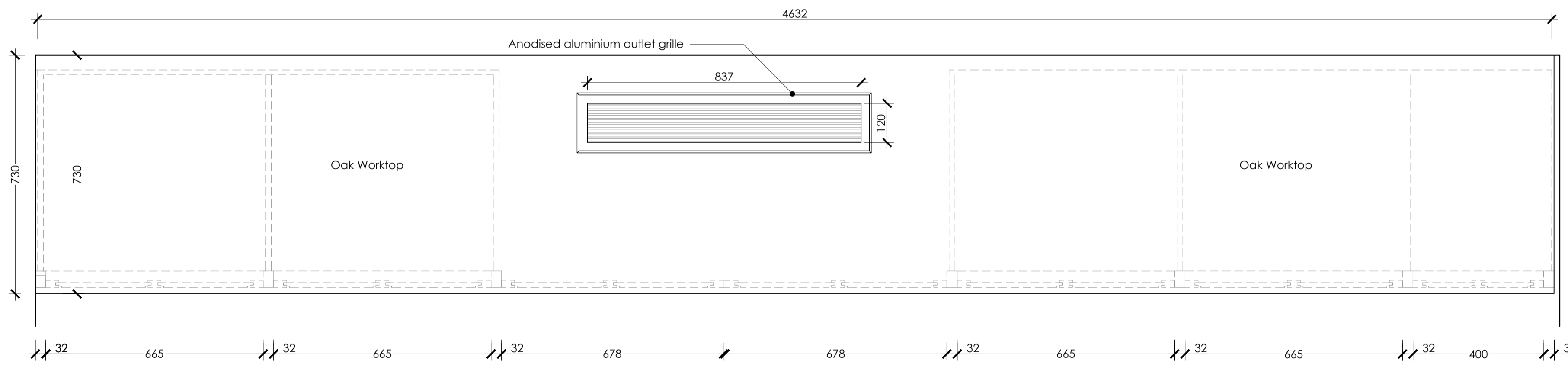
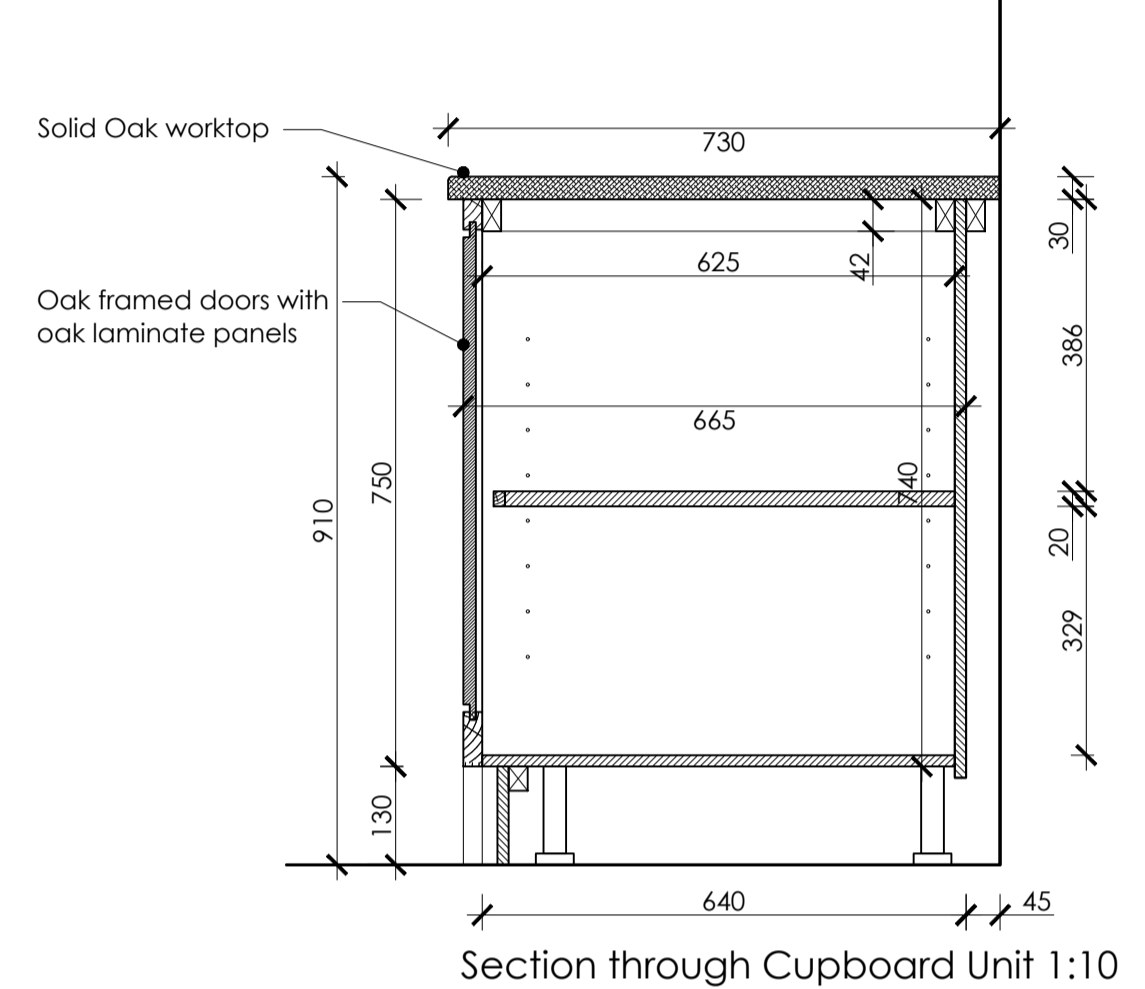


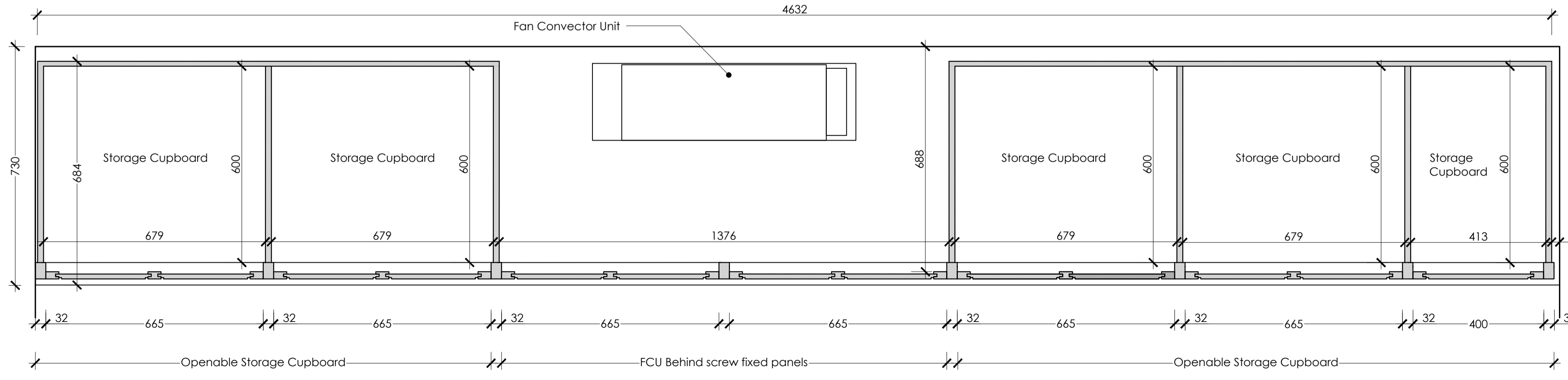
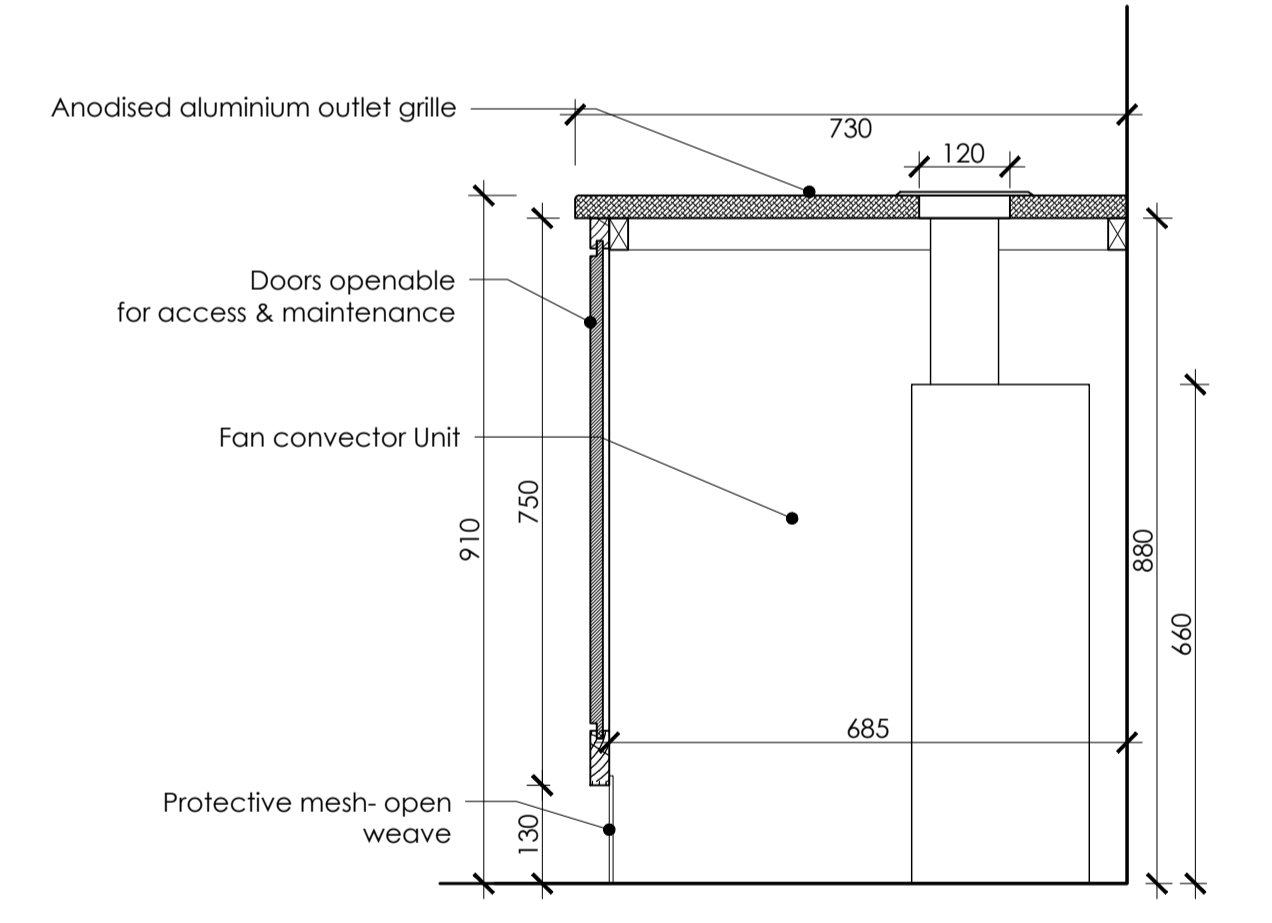
Ground Floor Plan 1:200



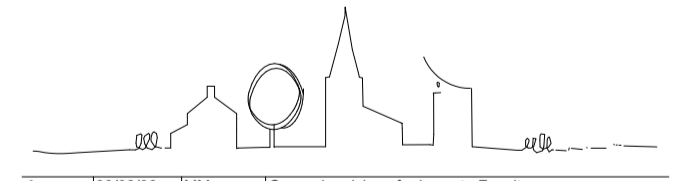
Storage Cupboard Elevation 1:10



Storage Cupboard Plan 1:10



Storage Cupboard Horizontal Section A-A 1:10



LYDIARD MILLCENT  
 All Saints

South Aisle Joinery  
 Details - East

Stage  
 FACULTY

benjamin + beauchamp  
 architecture design conservation  
 the borough studios, the borough,  
 wedmore, somerset BS28 4EB  
 T 01934 713313 F 01934 713314

Drawn By: MM Date: 30/08/22 Scale: 1:10 at A1  
 Drawing No: 0771.WD.004 rev A