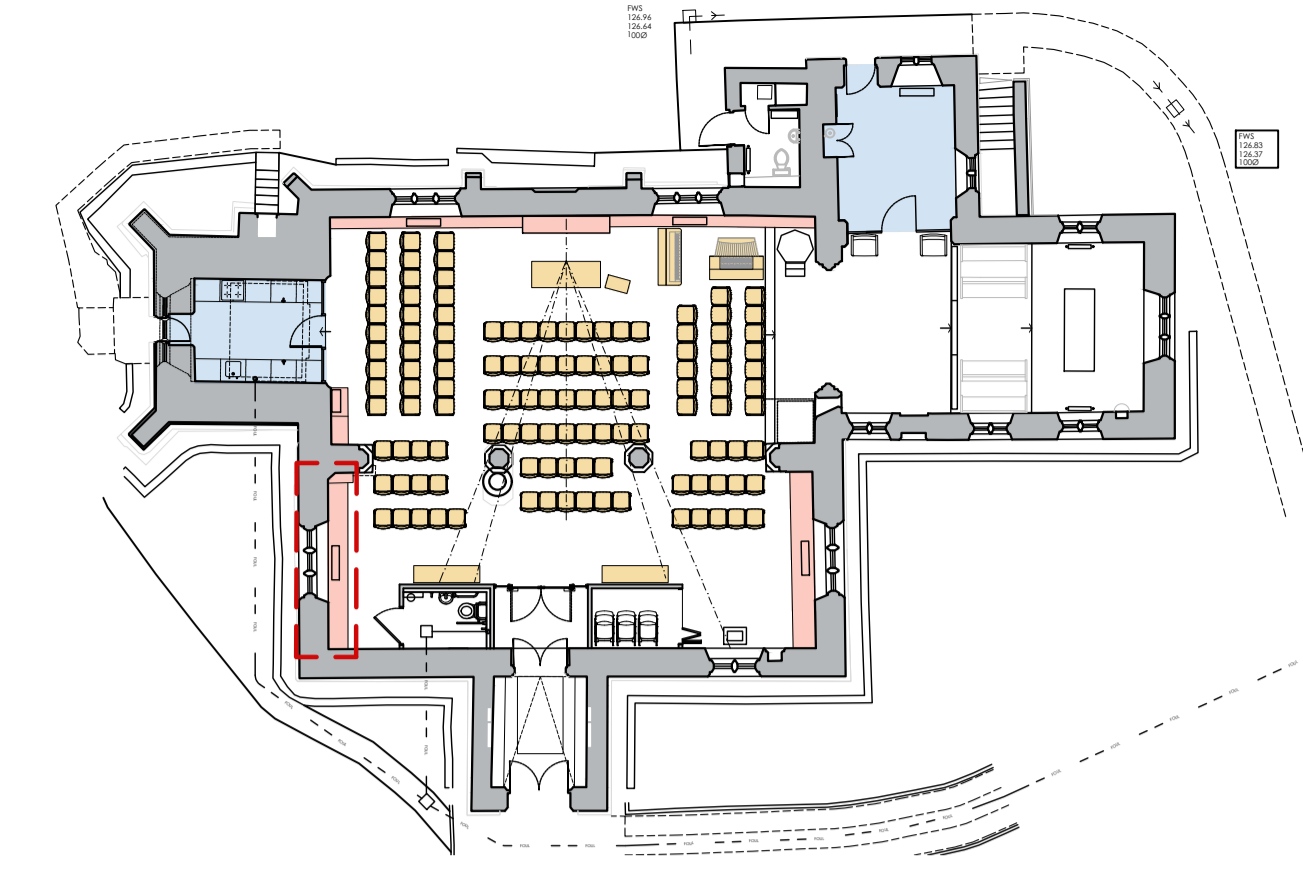
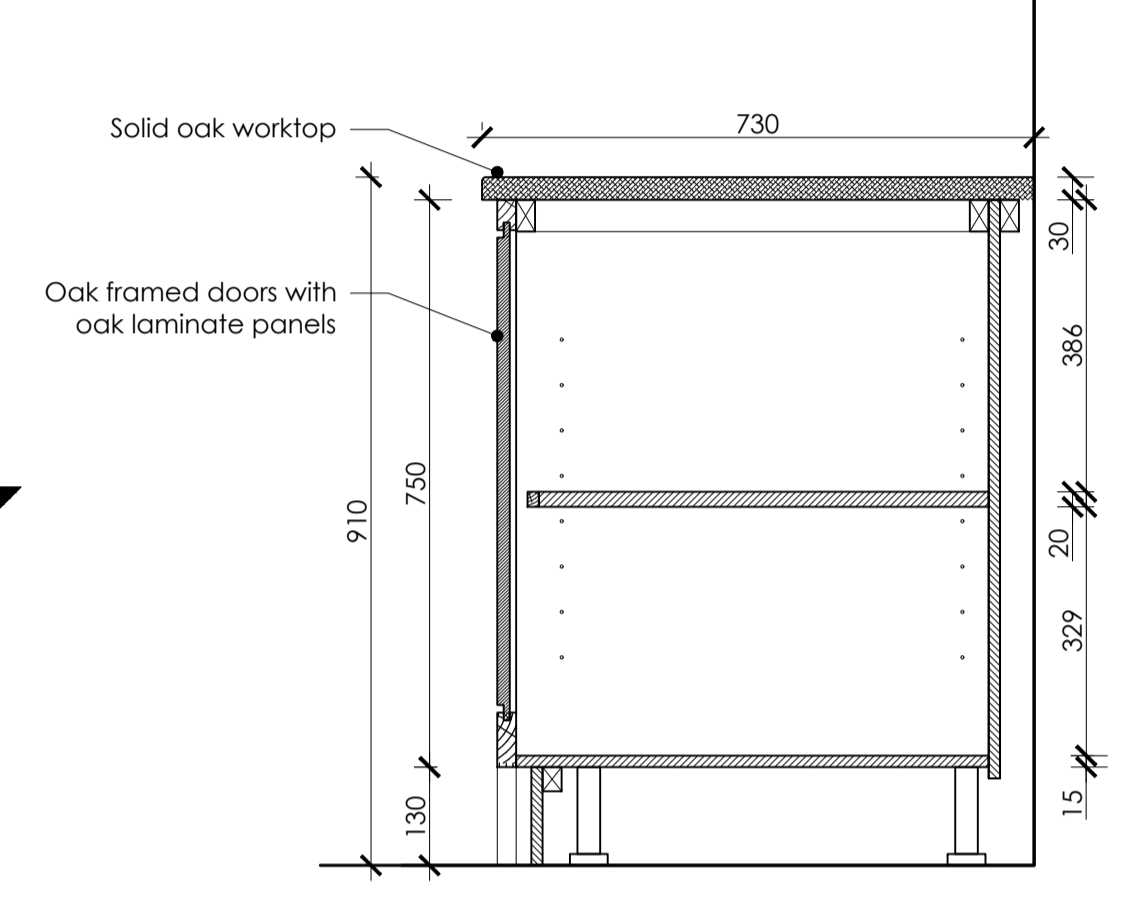


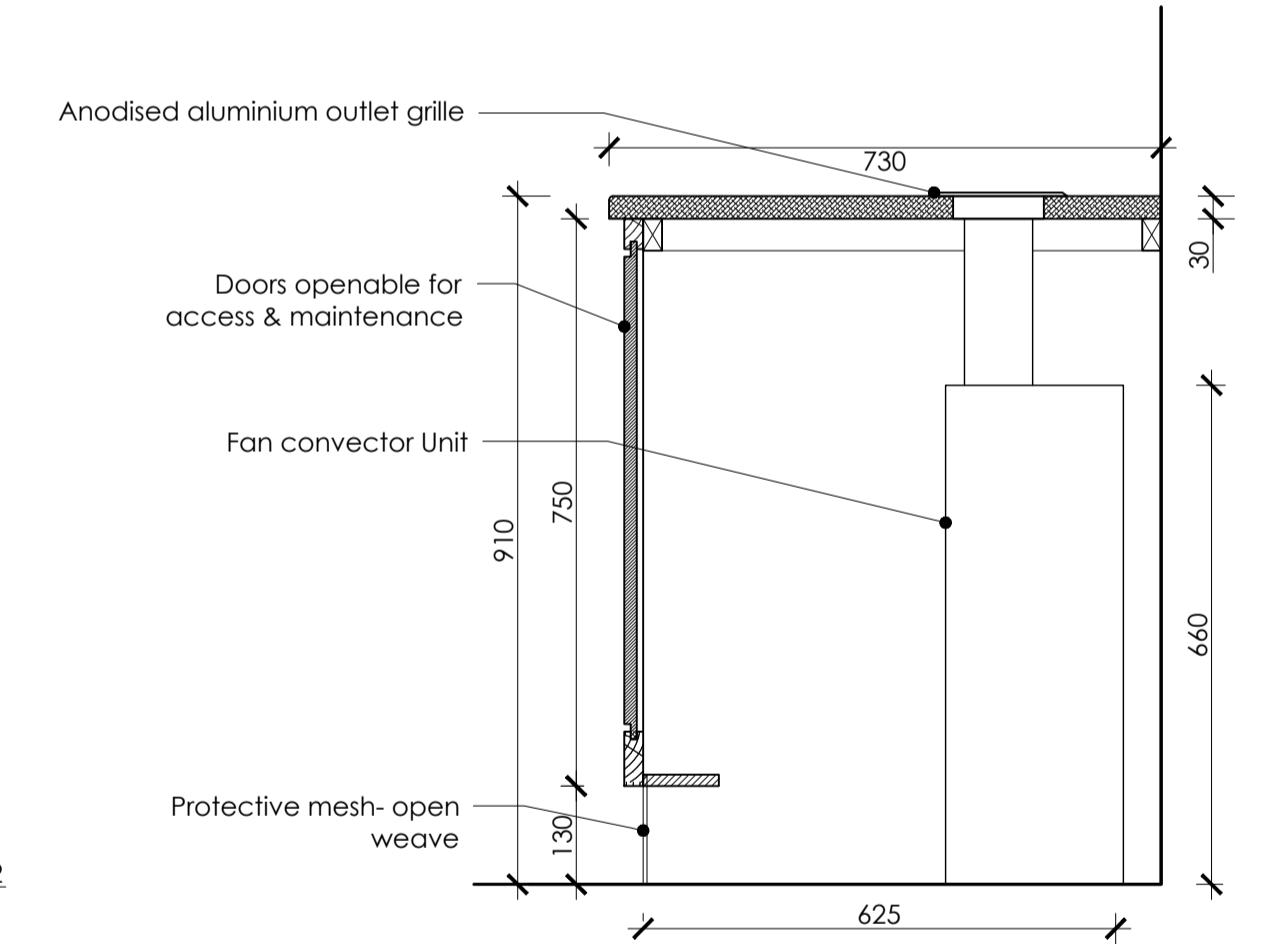
© This Drawing is the copyright of benjamin + beauchamp architects ltd.  
 All dimensions to be checked on site by contractor and not scaled from this drawing.  
 benjamin + beauchamp architects ltd accept no liability for any expense, loss or damage of whatsoever nature and however arising from any variation made to this drawing, or in the execution of the work to which it relates, which has not been referred to them and their approval obtained.  
 P:\Lydiard Millcent - All Saints - 0771\Drawings, Photos & Graphics\B2 Drawings\Drawing Board\0771.WD.005 South Aisle Joinery Details - West\_Rev A - .dwg



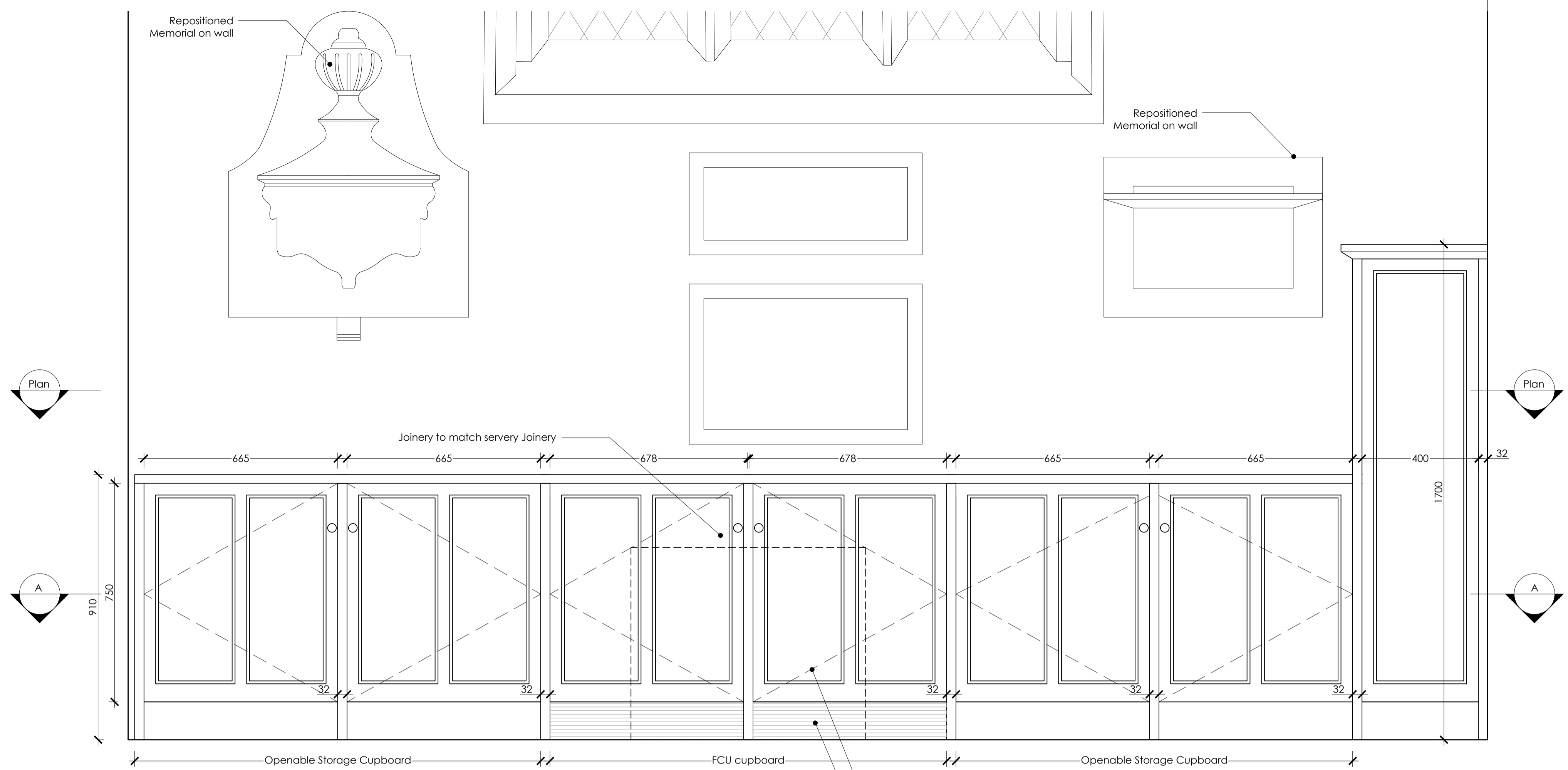
Ground Floor Plan 1:200



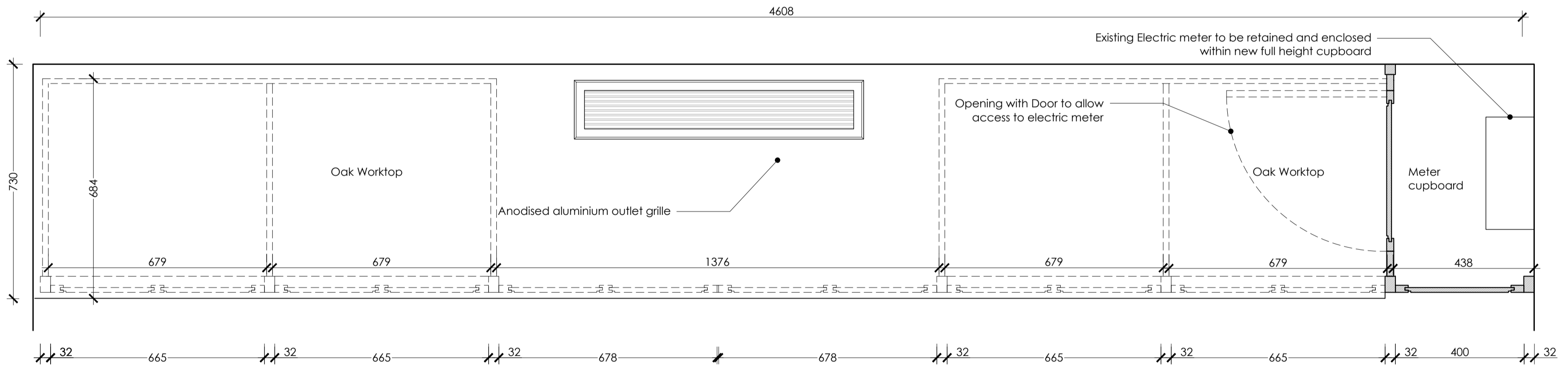
Section through Cupboard Unit 1:10



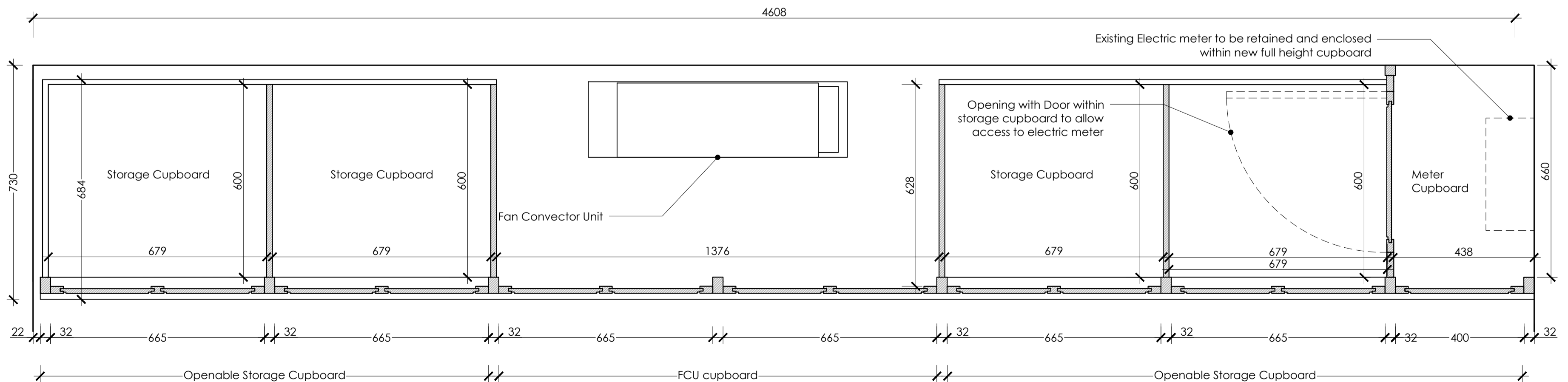
Section through Cupboard Unit with Fan 1:10



Storage Cupboard Elevation 1:10



Storage Cupboard Plan 1:10



Storage Cupboard Horizontal Section A-A 1:10

**LYDIARD MILLCENT**  
 All Saints

Project: **South Aisle Joinery Details - West**

Stage: **FACULTY**

Drawn By: **MM** Date: **30/08/22** Scale: **1:10 at A1**  
 Drawing No: **0771.WD.005**