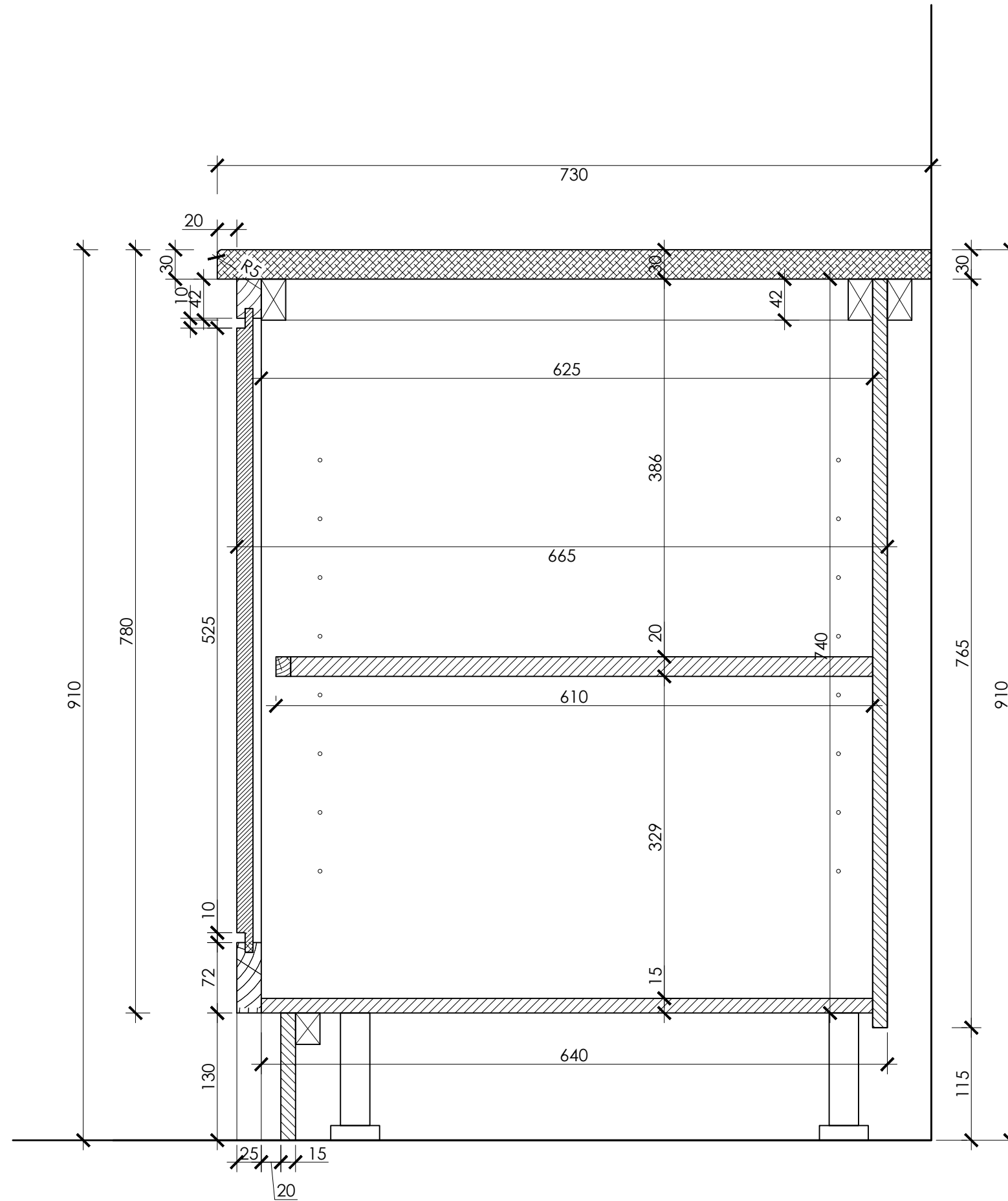
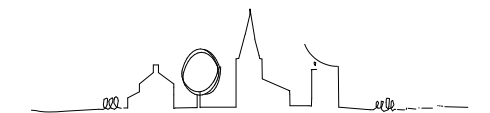


Section through Nave Cupboard Unit 1:5



Section through Aisle Cupboard Unit 1:5



|          |          |          |  |
|----------|----------|----------|--|
| B        | 30/08/22 | MM       | General revisions for issue to Faculty |
| A        | 13/05/22 | MM       | Nave Cupboard unit added to drawing    |
| Revision | Date     | Initials | Notes                                  |
| Project  |          |          |  |

LYDIARD MILLICENT  
 All Saints

Title  
 Joinery Details -  
 Storage Cupboard Unit

Stage  
 FACULTY

**02** benjamin + beauchamp  
 architecture design conservation  
 the borough studios, the borough,  
 wedmore, somerset BS28 4EB  
 T 01934 713313 F 01934 713314

|             |          |           |
|-------------|----------|-----------|
| Drawn By    | Date     | Scale     |
| MM          | 11/05/22 | 1:5 at A3 |
| Drawing No. |          |           |

0771.WD.006 B